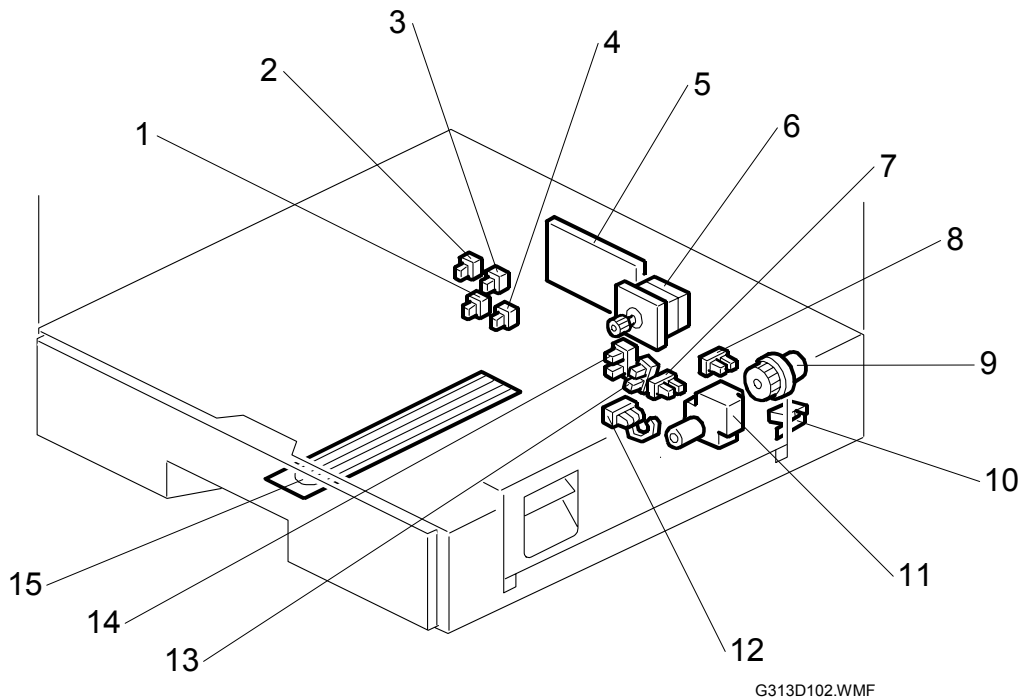


ELECTRICAL COMPONENT LAYOUT (PAPER FEED UNIT: G313)



Symbol	Name	Index No.	P to P
Motors			
M1	Inverter	5	A1
M2	Transport	7	A1
Switches			
SW1	Duplex Unit Open	2	A3
Sensors			
S1	Entrance	1	A3
S2	Exit	8	A3
S3	Cover	4	A3
Solenoids			
SOL1	Inverter Gate	3	A1
PCBs			
PCB1	Main	6	A2
Heaters			
H1	Tray (Option)	15	C3